

Product Specification

Model NO: 571143

Name: DNH-3LED-1,6W 230VAC LED module

Version: 1st Edition 2017



Customer Confirmed	Checked	Approved	Editor

Description:

- 1, Adopt high quality LED as light source,high brightness,uniform lighting,good Antistatic;
- 2, AC200-AC264V 50Hz/60Hz input;P.F>0.9;
- 3, Nice design with 160*160°optical lens;
- 4, Circuit design with constant current, over-temperature and short circuit protection function;
- 5, Use fire-resistant material, fireproof up to U94V-0 and waterproof up to IP67;
- 6, No need power supply; no wiring loss; no voltage-dropping; single cuttable; easy installation;
- 7, Certificate : UL, CE, Rohs, LM80, IP67

Application : Advertising sign with 60-150mm and lighting box etc.

Parameters of product:

Voltage:	AC200V-AC264V 50Hz/60Hz	Color;	Rice white
Power:	1.6W	Material:	PVC
Lumens:	160lm	Weight(50PCS):	1600g
Beam angle:	160*160°	Connection Qty:	100PCS/string
PF:	>0.90	Fixing Screw:	M3 screw
LED Qty:	3PCS	Tape:	3M backing tape
CCT:	White	Working Temp.:	-20~55°C
Luminous efficacy:	100lm/w	Storage Temp.:	-40~80°C
IP rate:	IP67	Warranty:	5year
Dimensions	88*21.5*11.1mm		

Parameters of light source:

LED	SMD LED (LM80)
Life spam	> 50000H
Ra	≥80
CCT	6500-7000K/8000-10000K

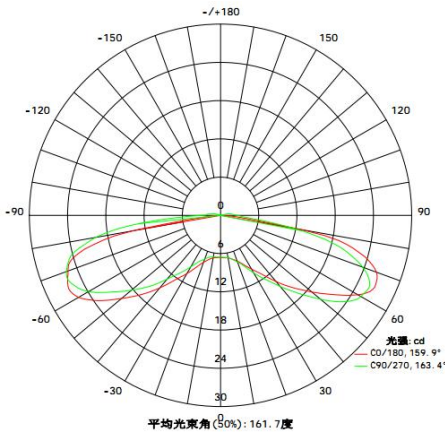
The final interpretation of the product made by GK lighting all subject to change without notice.

DENCOP LIGHTING spol. s r.o.

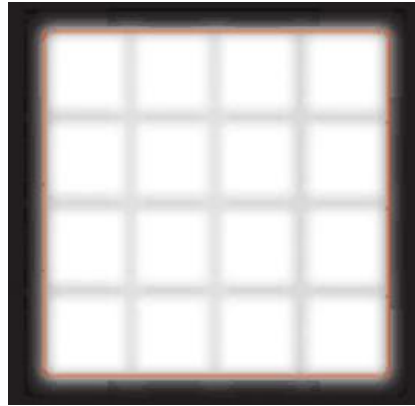
Tecovska 1122, Zlin-Malenovice, 76302, Czech Republic

Web: www.dencop.cz ; Email: obchod@dencop.cz ; Tel: +420 571 894 000

Lighting distribution:

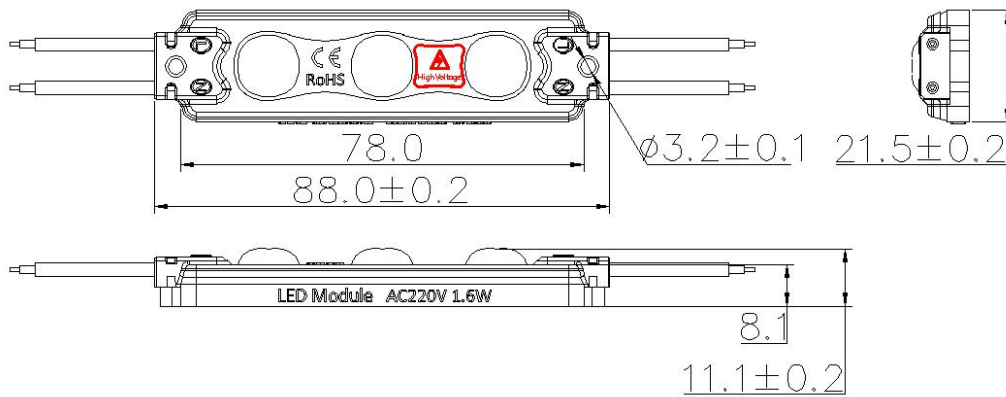


lighting distribution curve

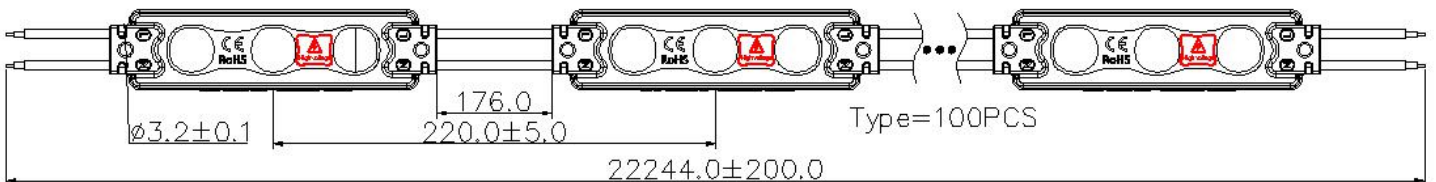


lighting spot

Dimension:(Unit: MM):



Installation and cable connecting diagram:



*Note: For more information, please refer to user manual and installation manual at installations